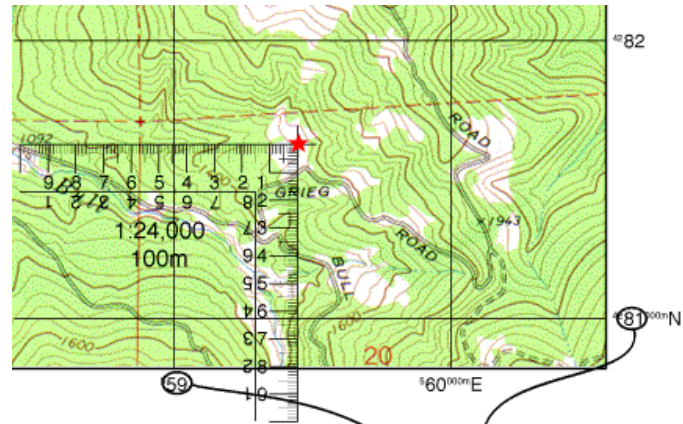


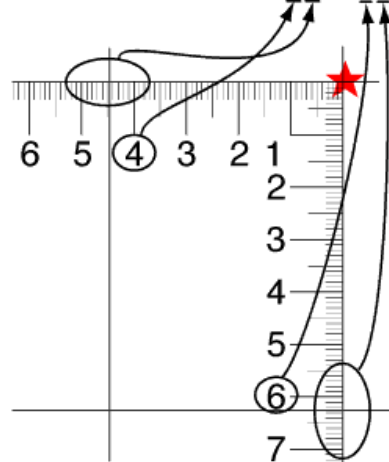
Poor little fella—he went to all the trouble to teach himself to WRITE & we STILL haven't the foggiest idea what he's trying to tell us.



Map Referencing Universal Transverse Mercator



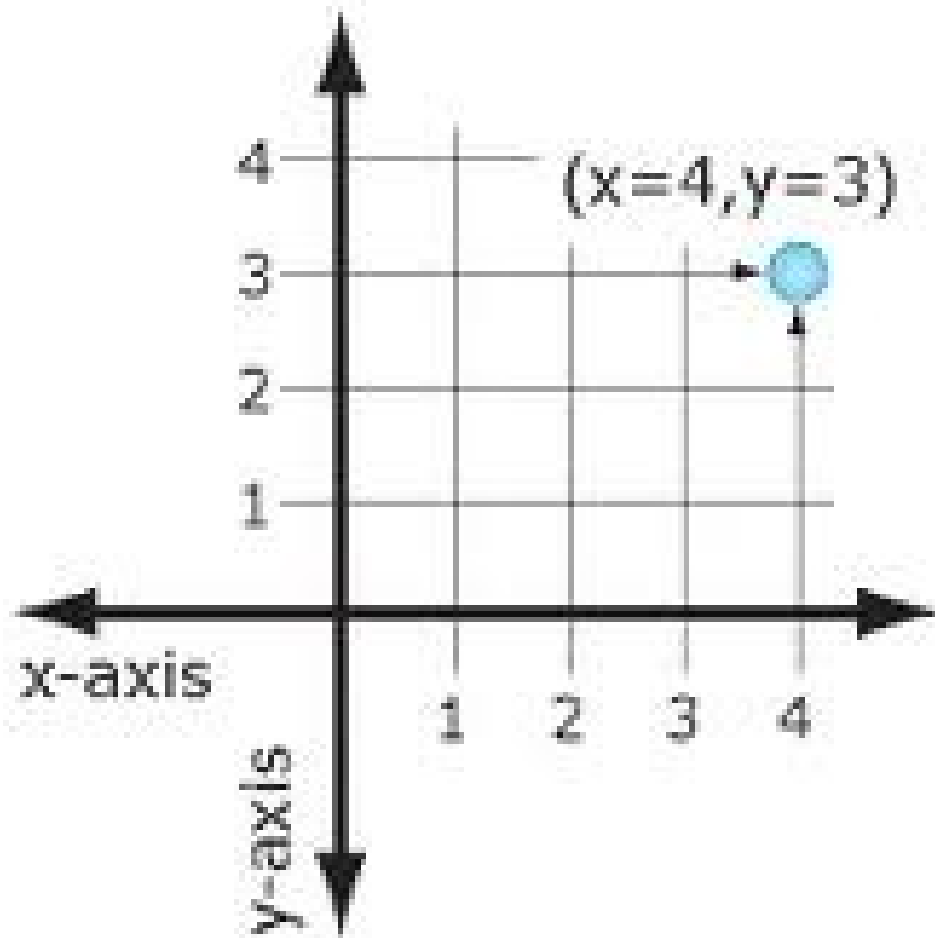
The ★ is located at **5945 8163**



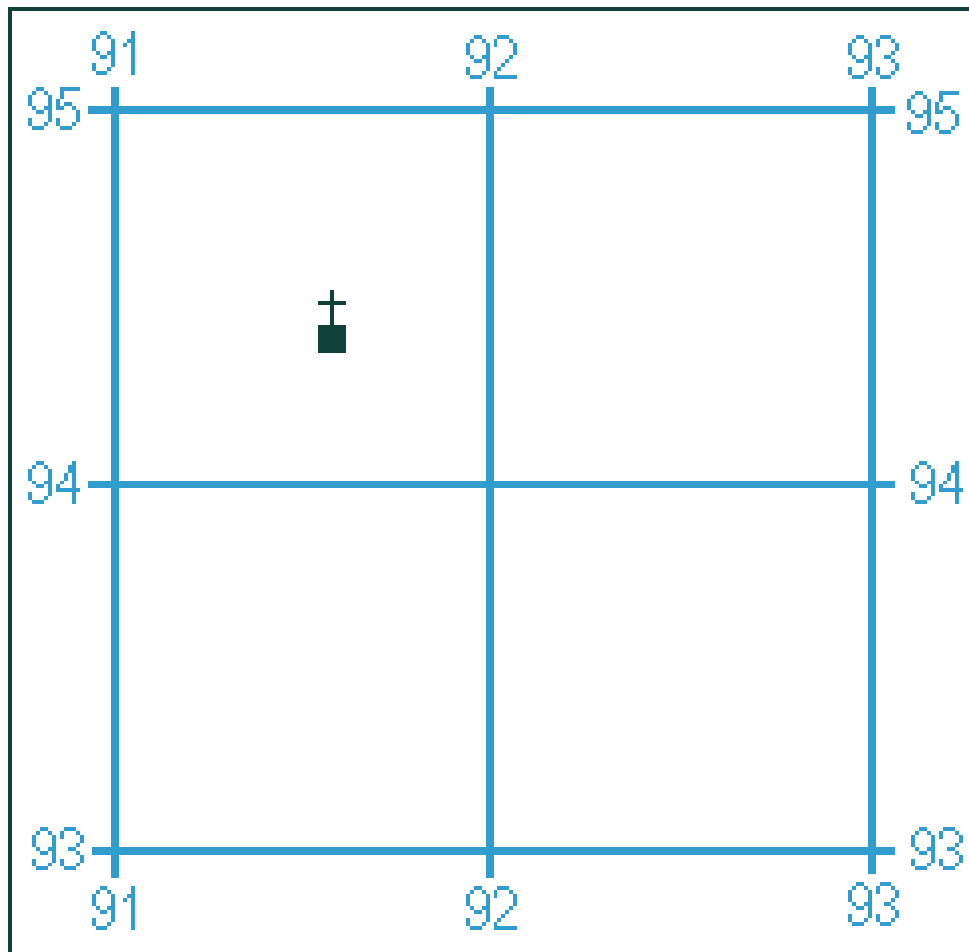
Why Use UTM?

- **A square grid**
- **Constant distance relationship**
- **The UTM system allows the coordinate numbering system to be tied directly to a distance measuring system.**
- **X Y Cartesian coordinates**
- **Metric units measured in meters.**

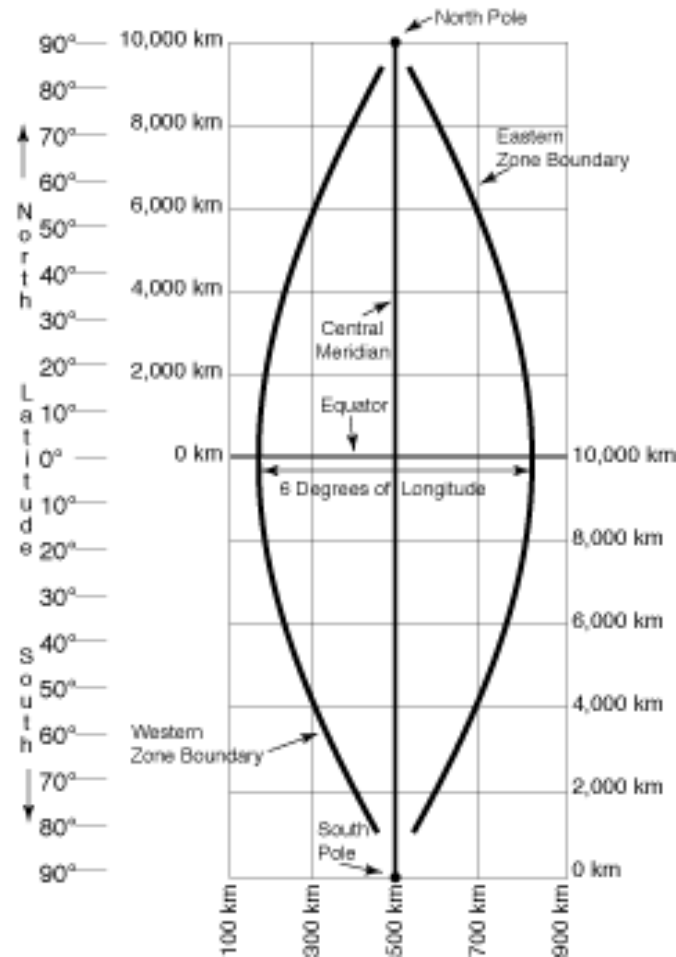
Cartesian Coordinates



UTM Grids

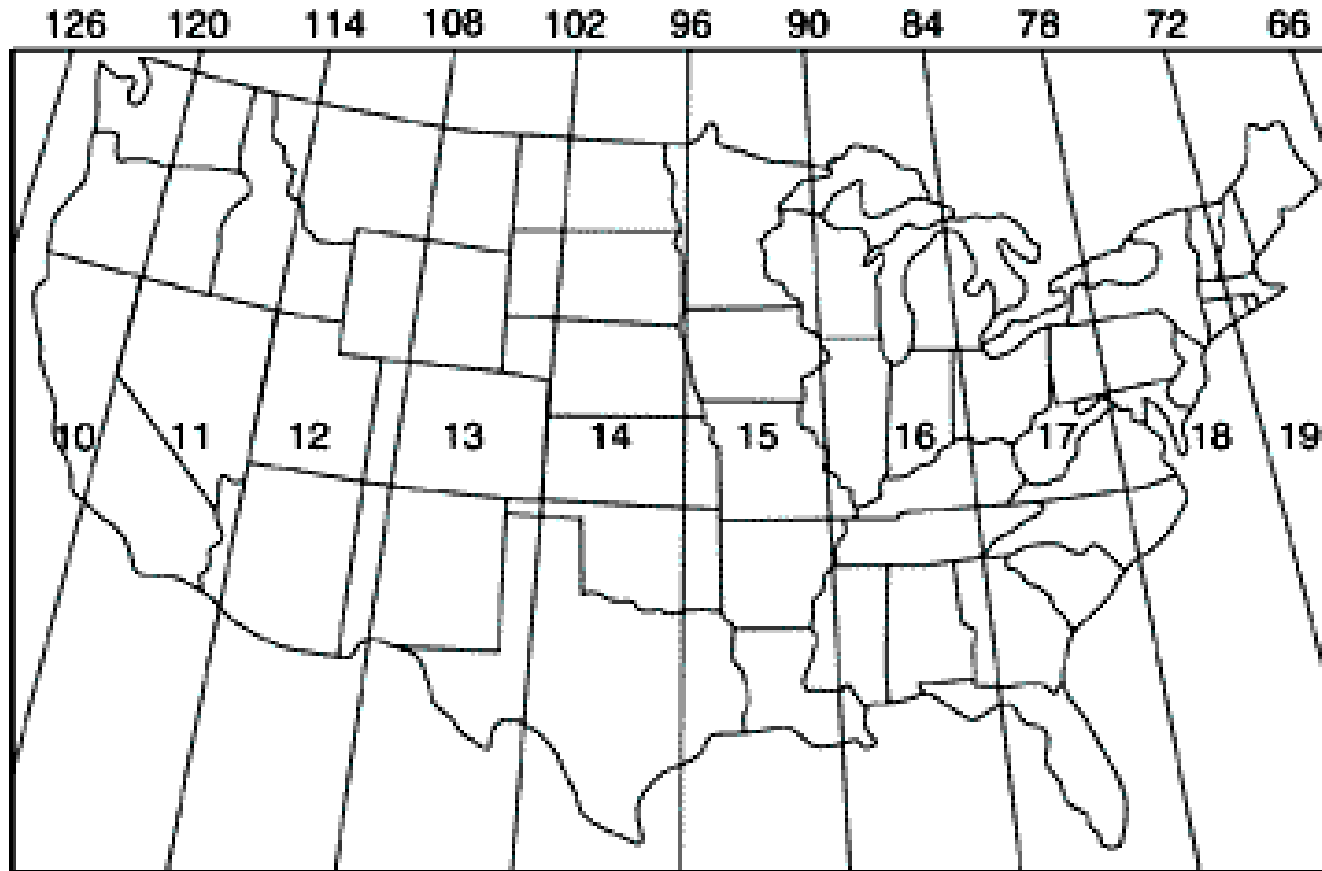


A Slice of the Earth



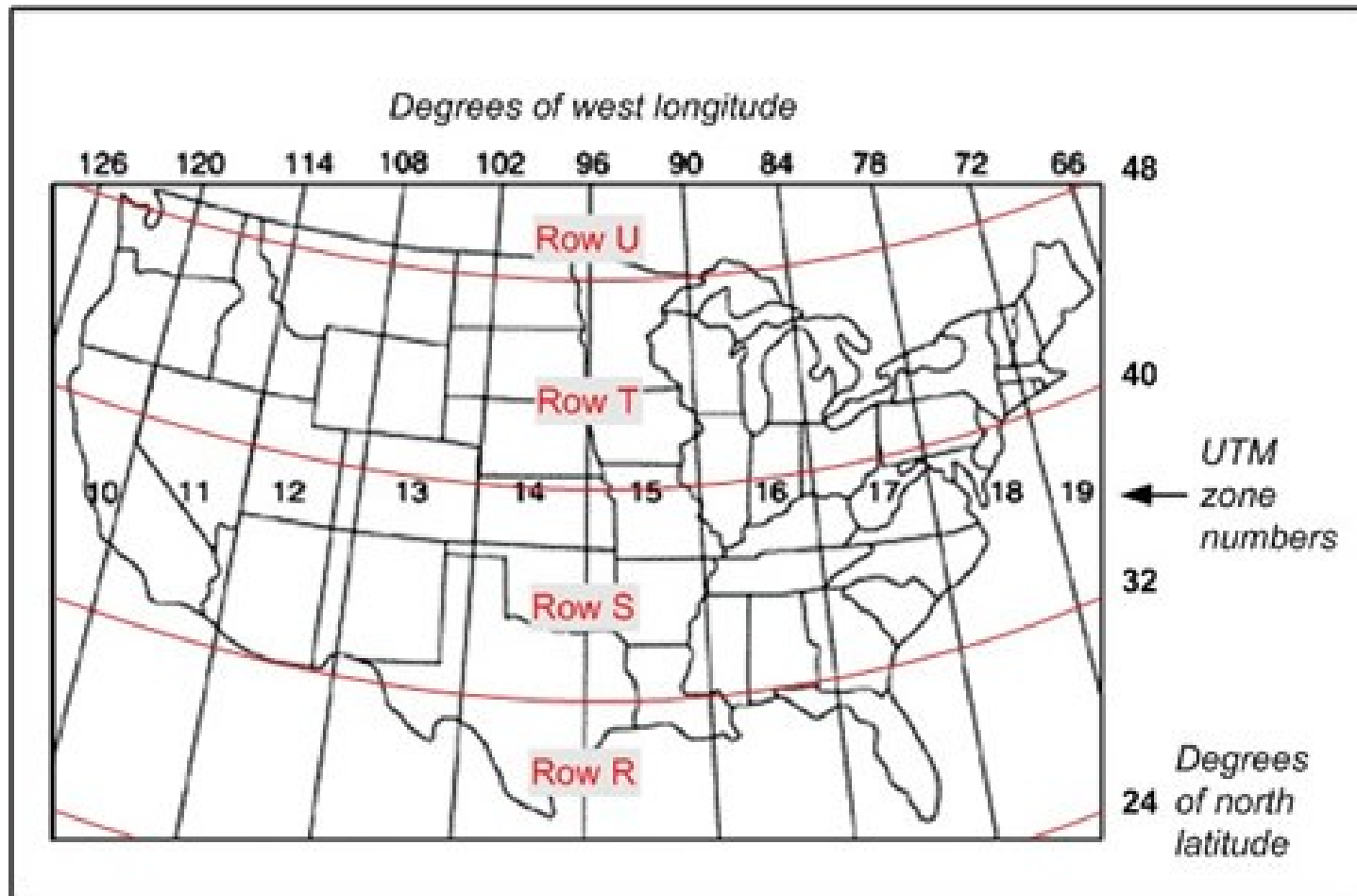
Slices turn into Zones

Degrees of west longitude

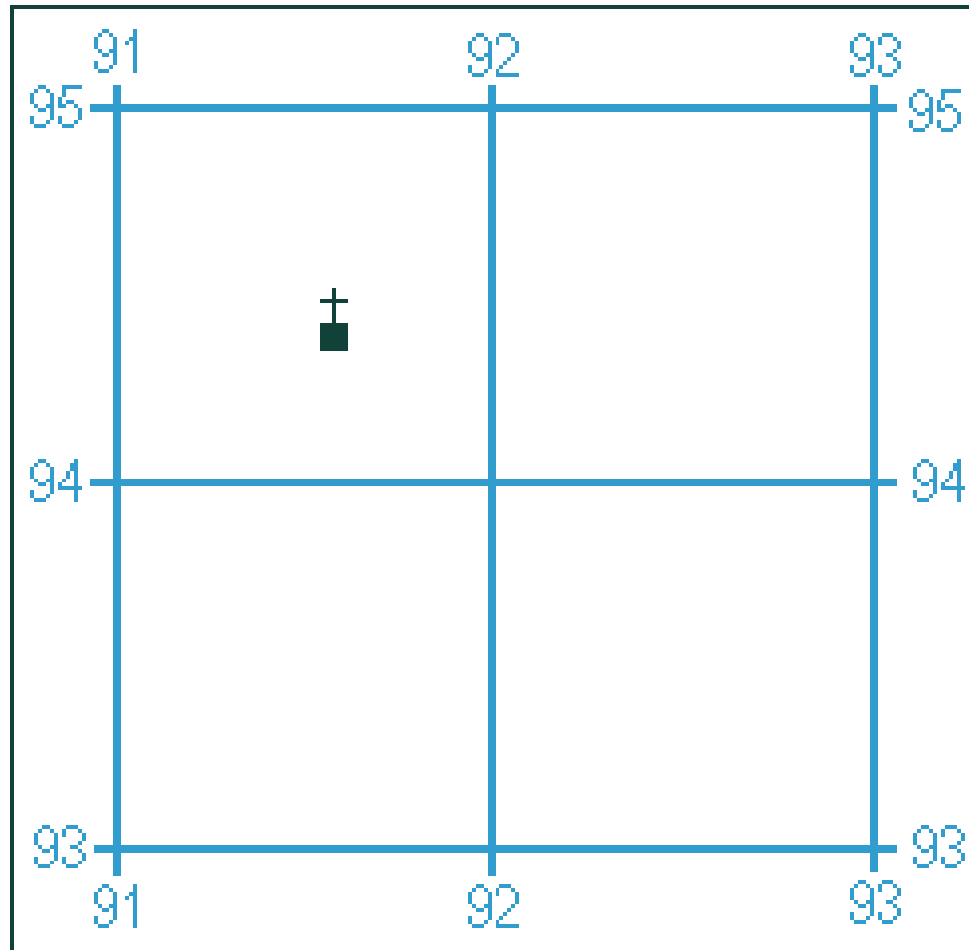


*UTM
zone
number*

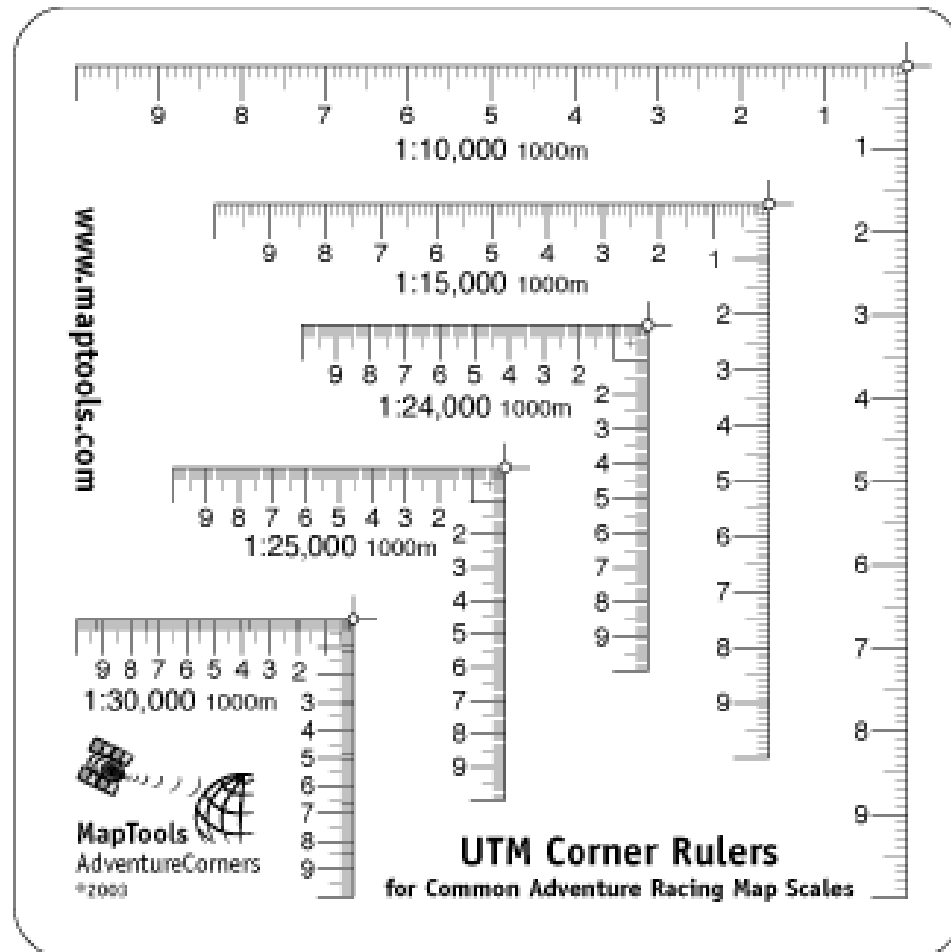
Zones (slices) get cut with Rows



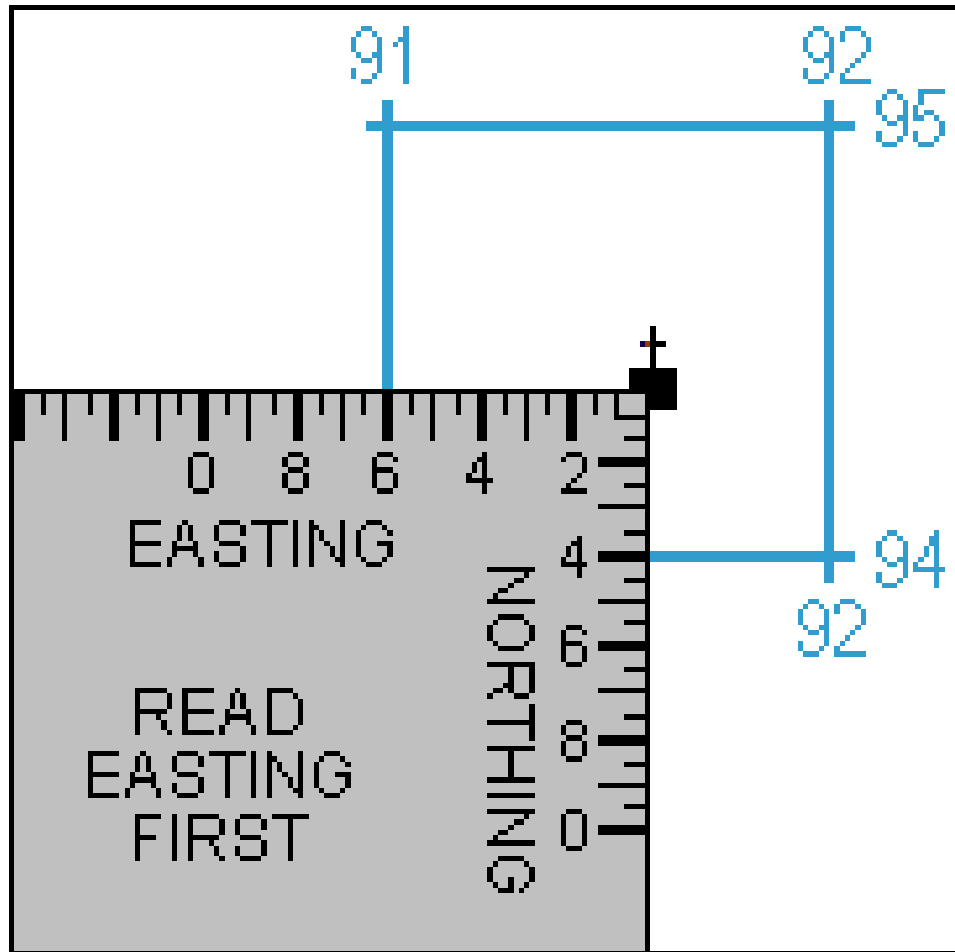
In the house □ Up the stairs

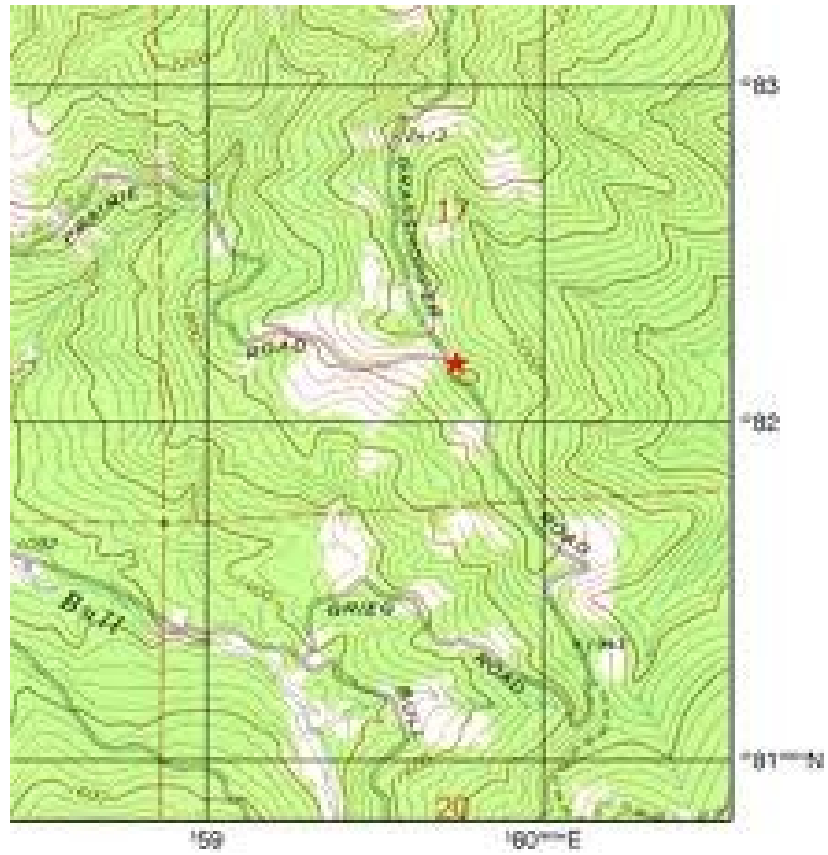


Roamers

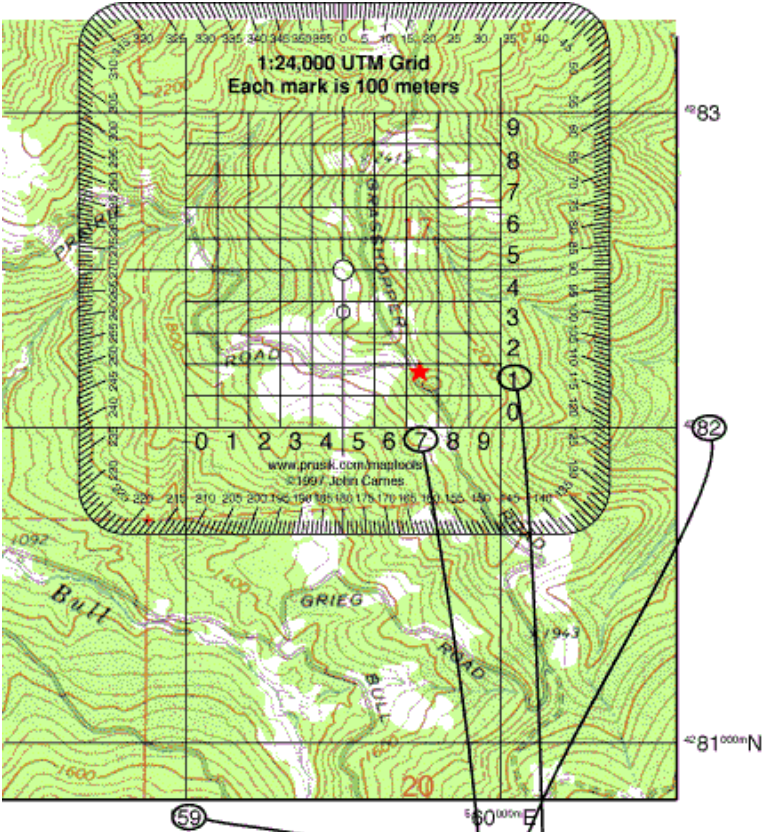


How Roamers work

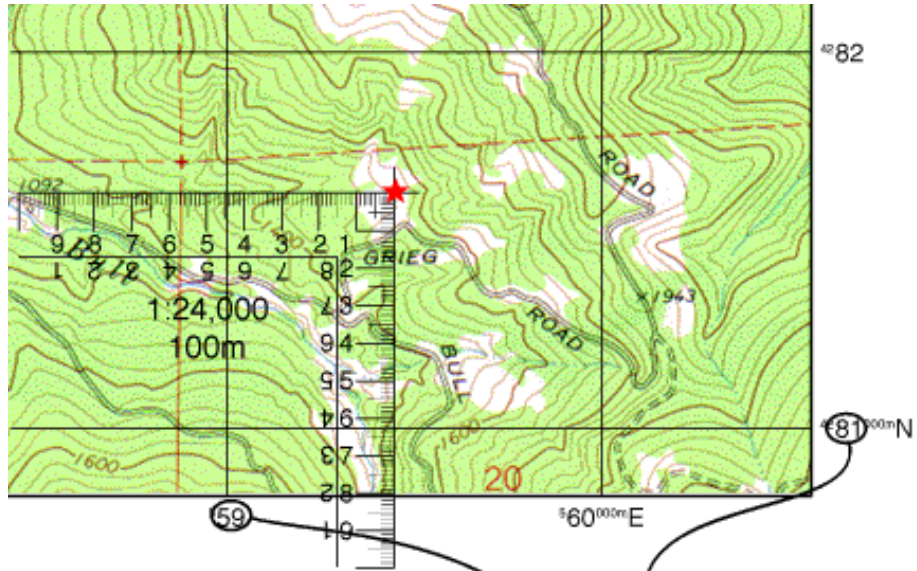




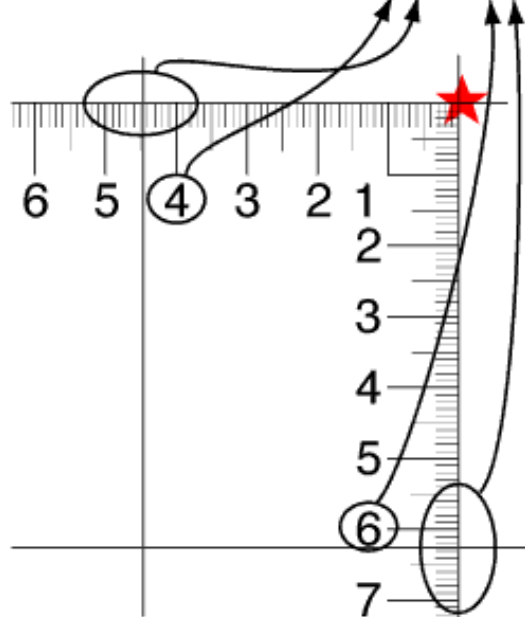
Overlays



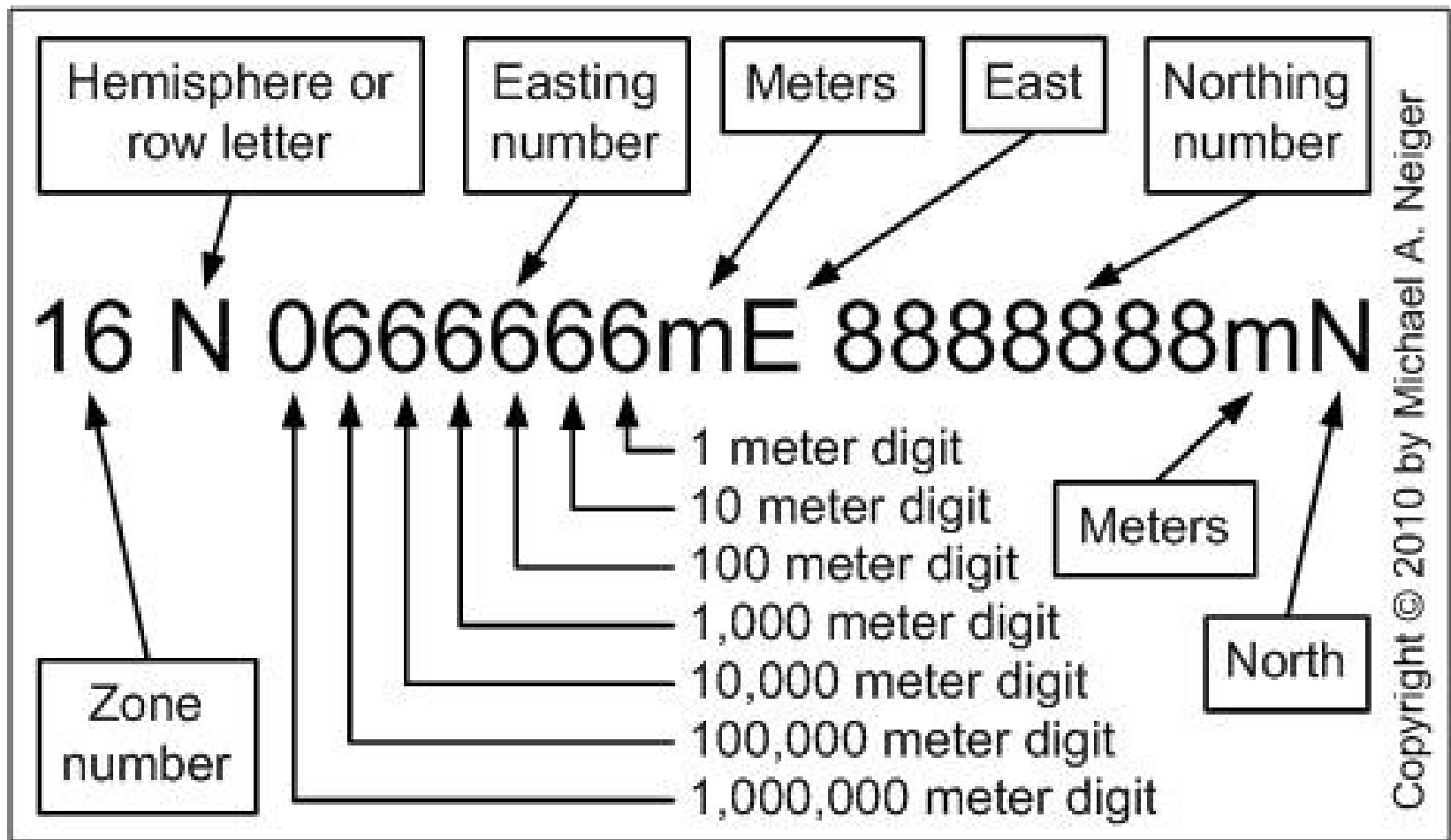
The ★ is located at **597 821**



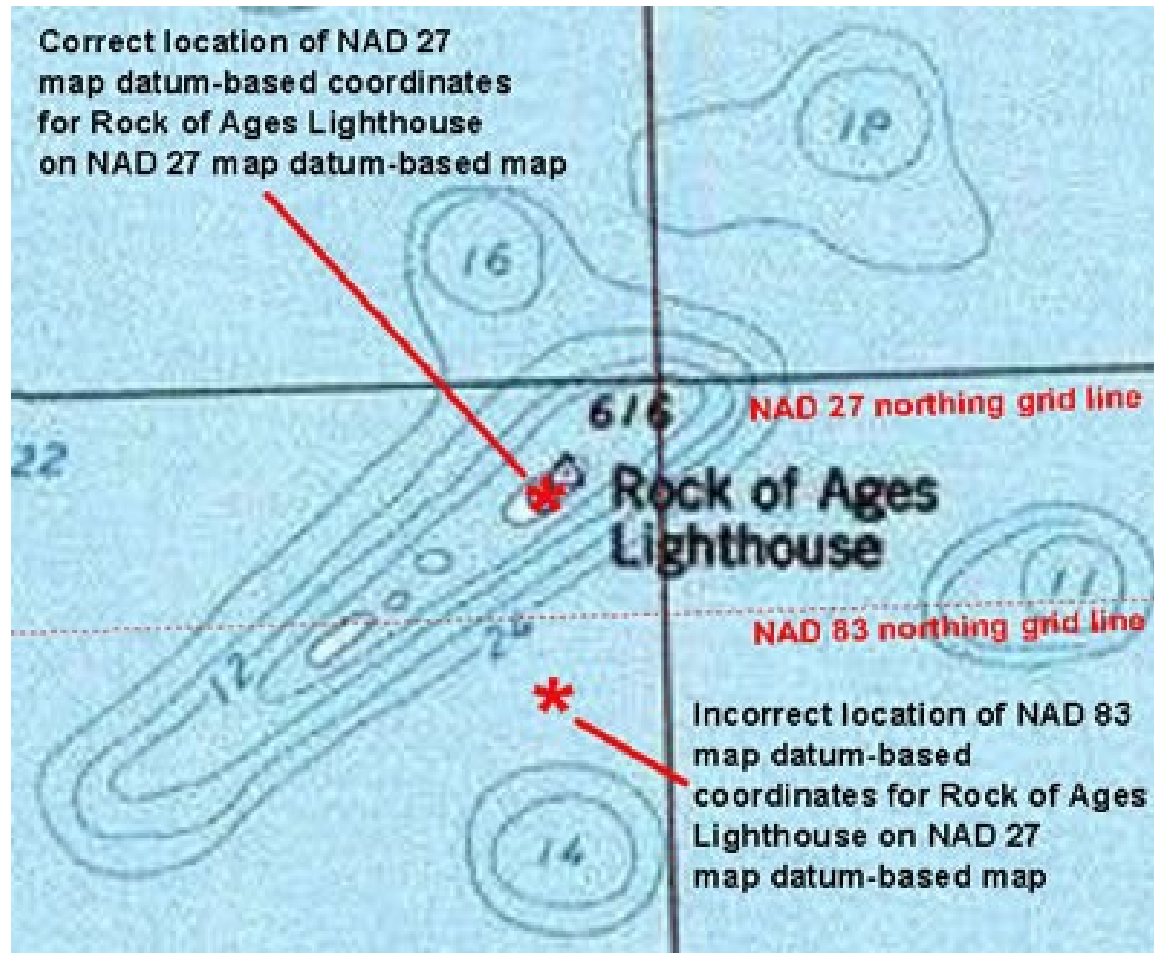
The ★ is located at 5945 8163



The Full Number



NAD 27/ NAD83/ WGS 84



Datum is listed on the map
sheet margin

CONTOUR INTERVAL 50 FEET

Elevations in Feet above Mean Sea Level

North American Datum 1927

Transverse Mercator Projection